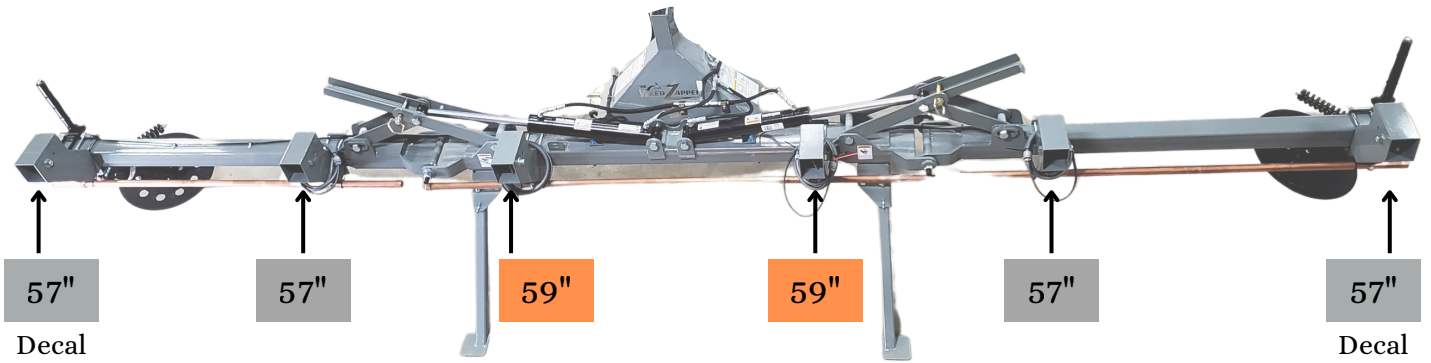


## 20' & 30' Boom



## 40' Boom

